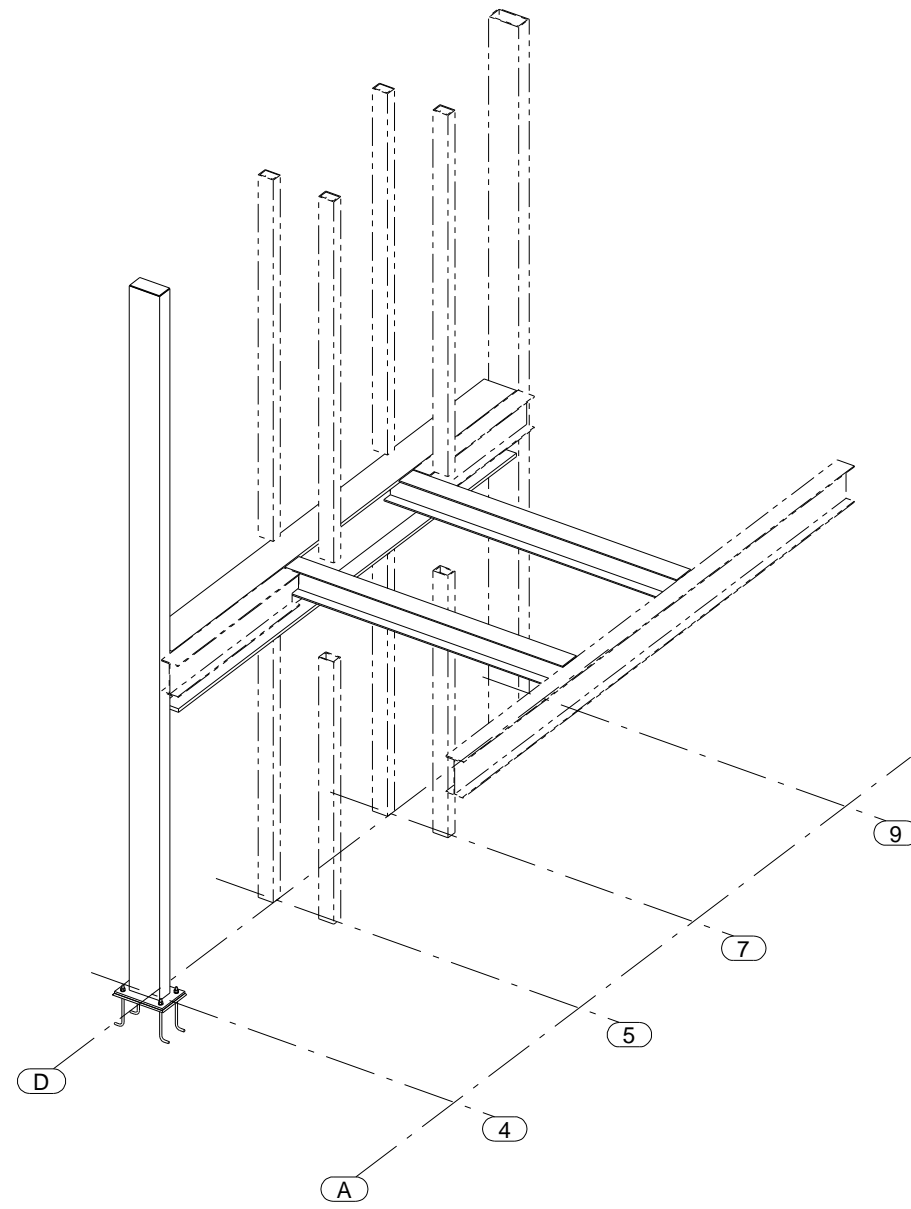
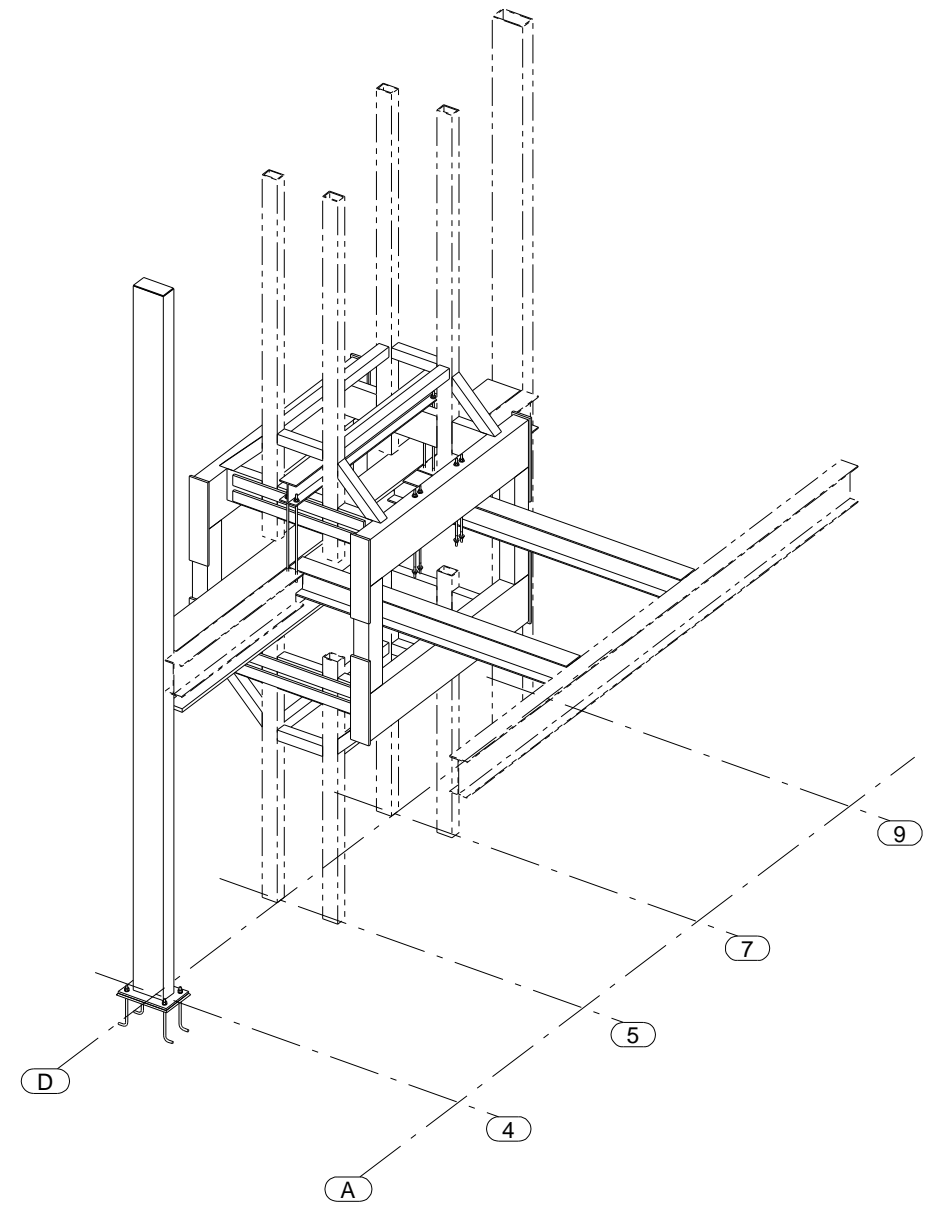


3-D View of Existing Steel



3-D View of Existing plus New Steel



3-D View of Existing plus New plus Shoring Steel

A	ISSUED FOR APPROVAL	10/07/11
REV	DESCRIPTION	DATE
<b>AMJ Iron Works Corp.</b> 106 Alabama Avenue Brooklyn, N.Y. 11207 tel: 718-923-5023 fax: 718-922-9825		
DESCRIPTION	3D VIEWS ONLY	
PROJECT NAME	East 94th Street Shoring	
DRAWN BY	SGA	JOB No.
DATE DRAWN	10/07/2011	DRG No.
		S4